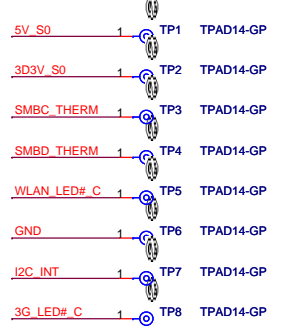
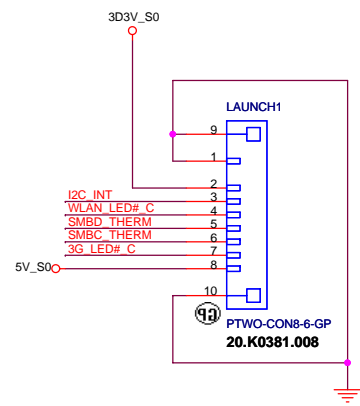
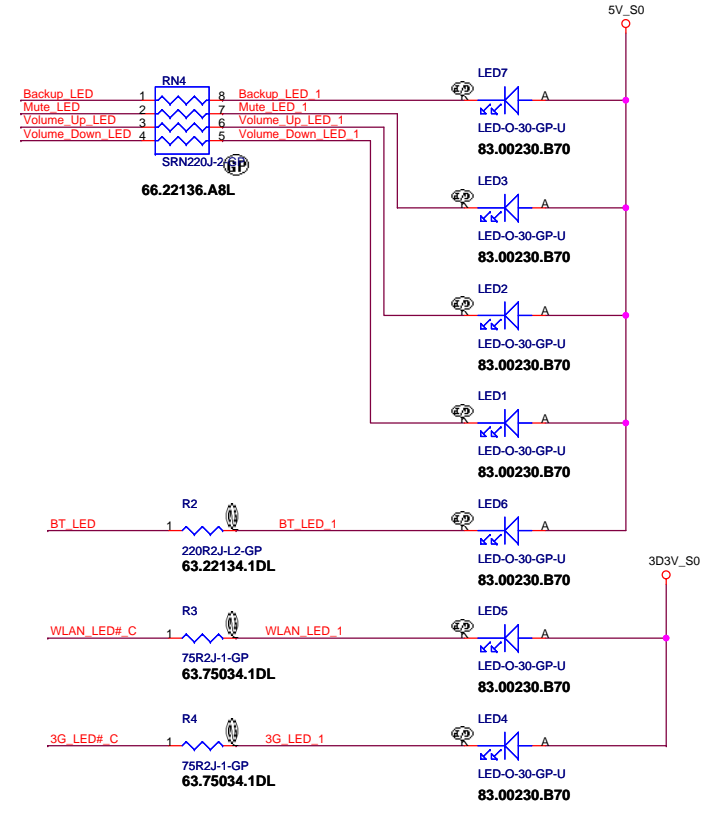
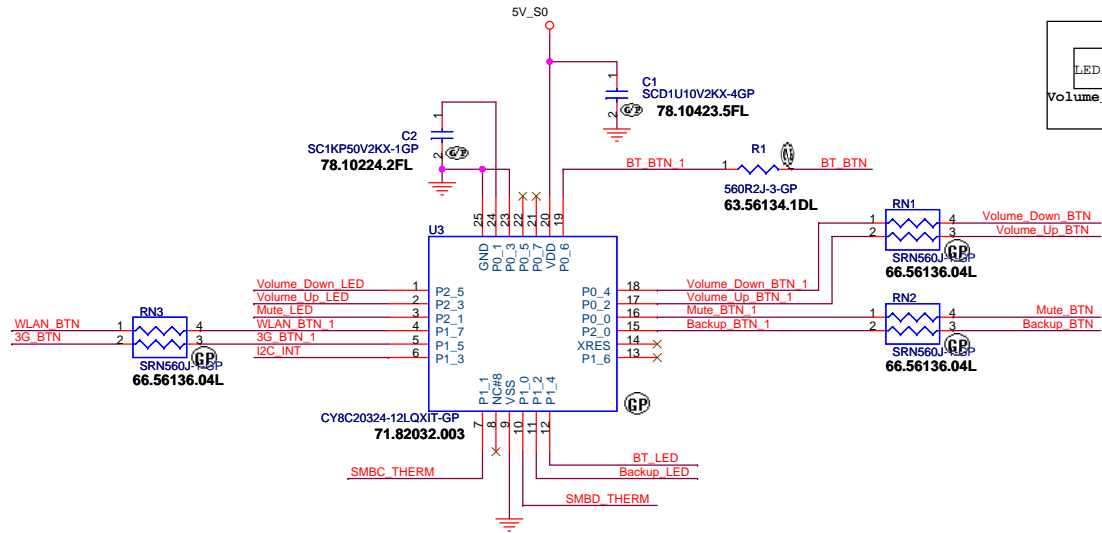
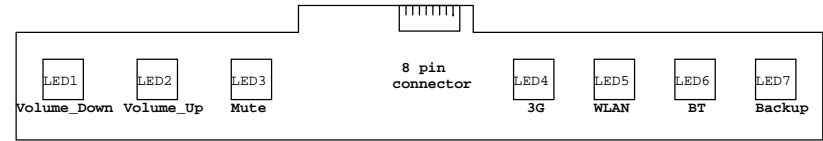


# SM30 Media Key

Project code: 91.4BT01.001  
 PCB P/N : 48.4BT03.0SA  
 REVISION : 08620-SA

TOP View



SM30

**緯創資通 Wistron Corporation**  
 21F, 88, Sec.1, Hsin Tai Wu Rd., Hsichih, Taipei Hsien 221, Taiwan, R.O.C.

Title: **Media key**

Size: A3	Document Number: <b>SM30</b>	Rev: SA
Date: Thursday, October 23, 2008	Sheet: 1 of 1	